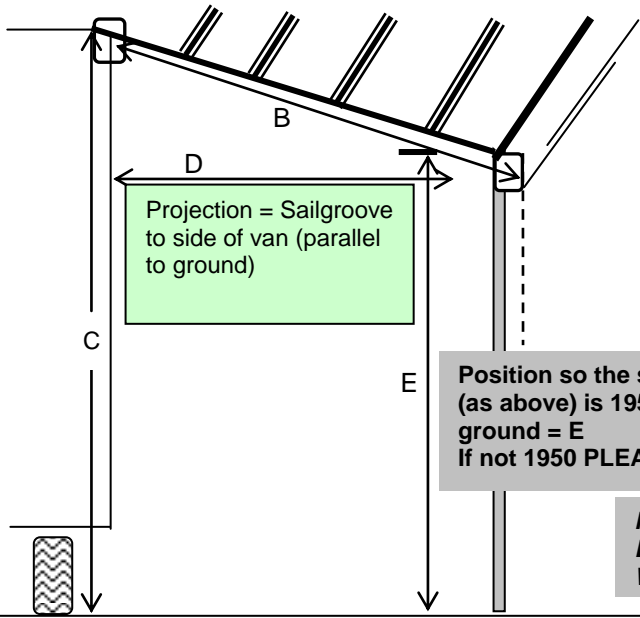


WALLS FOR THULE/CASSETTE AWNINGS

Return via fax to: 07 3284 5969 or email to: enquiries@aussietraveller.com.au - Brisbane
 Return via fax to: 03 9357 6515 or email to: info@aussietraveller.com.au - Melbourne

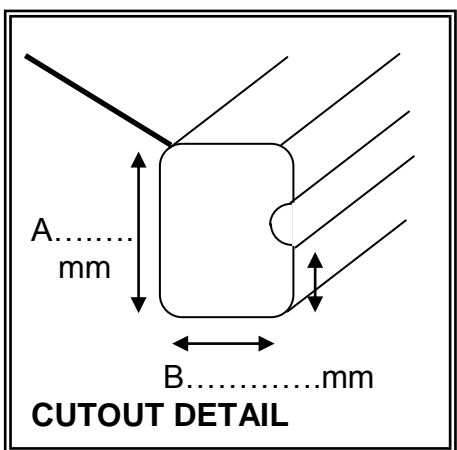
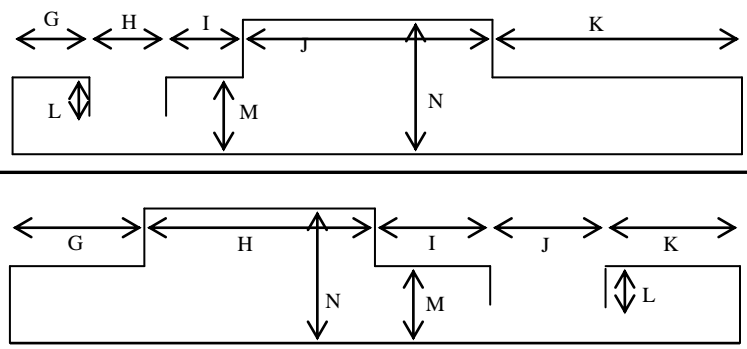
MEASURE DATE:	DEALER REP ID:	DEALER ORDER #:
DATE REQUIRED:	FOSTER REP ID:	CHASSIS #:
DEALER DETAILS: ADDRESS:		Standard Wall Layout <input type="checkbox"/>
PH: _____ FAX: _____		Custom Wall Design <input type="checkbox"/> Detailed over page.
CUSTOMER NAME		Gas Regulations:
		Checked that there are no gas appliances fluing into the annexe <input type="checkbox"/>
		Checked that there are no gas bayonets located in the annexe <input type="checkbox"/>
		Signed: _____ Dated: _____
RV: BRAND	MODEL	SIZE:
AWNING: OMNISOL <input type="checkbox"/> V10 <input type="checkbox"/> 4900 <input type="checkbox"/> 8000 <input type="checkbox"/> 5002 <input type="checkbox"/> OTHER <input type="checkbox"/>		
AWNING LENGTH:(CONTAINER SIZE) _____ M		
SAILTRACK FOR WALLS FITTED? YES <input type="checkbox"/> NO <input type="checkbox"/> IF NO, LENGTHS(IF REQUIRED) FRONT END _____ BACK END _____		



WALL CANVAS COLOUR:	
A Awning Fabric Length at Outrigger	A
B Blind Length Vinyl fabric length from Back of box to outrigger sailgroove	B
C Back wall height fabric to ground length over axle	C
D Wall Projection-from sidewall of van to outrigger sailgroove	D
E [Long side wall] height sailgroove to ground Set at 1950 (if not 1950 advise new height)	E

NB: WITH AWNING ERECTED TO ABOVE MEASUREMENTS ENSURE DOOR TO RV IS FREE TO OPEN & THERE IS SUFFICIENT SLOPE FOR WATER TO RUN OFF. IF NOT ADJUST TO ALLOW SO.

Delete/select ONE windskirt layout



G		L	
H		M	
I		N	
J		STEP STYLE:	
K		PULL DOWN	
TOTAL		SOLID	

NB: WINDSKIRT MEASUREMENTS SHOULD ADD UP TO NOMINATED AWNING LENGTH LESS 1'(300MM) IE: MEASURED 6" IN FROM THE CENTER OF EACH FRAMESET ARM. NB: WINDSKIRT CAN BE LENGTHENED IF NEEDED TO ALLOW END WALL TO PASS AROUND WINDOW FRAMES ETC.

CHECK FITTING SETTINGS

ARMS

OUTRIGGER

SKIRT

WALLS